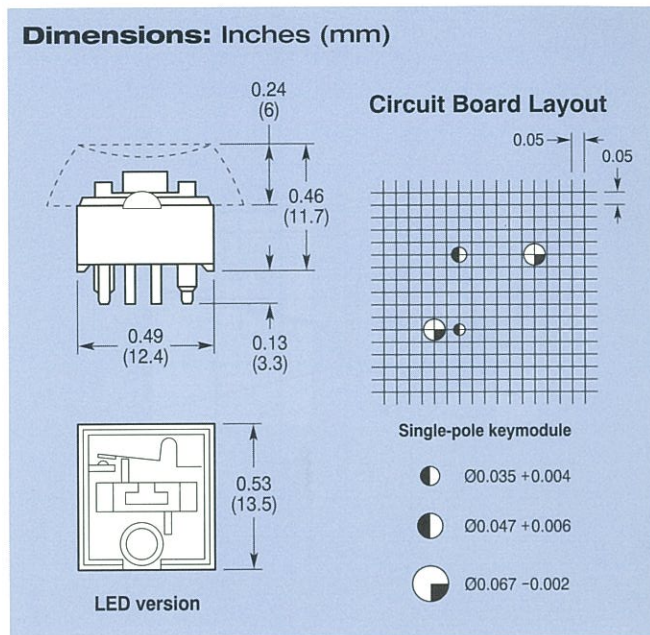
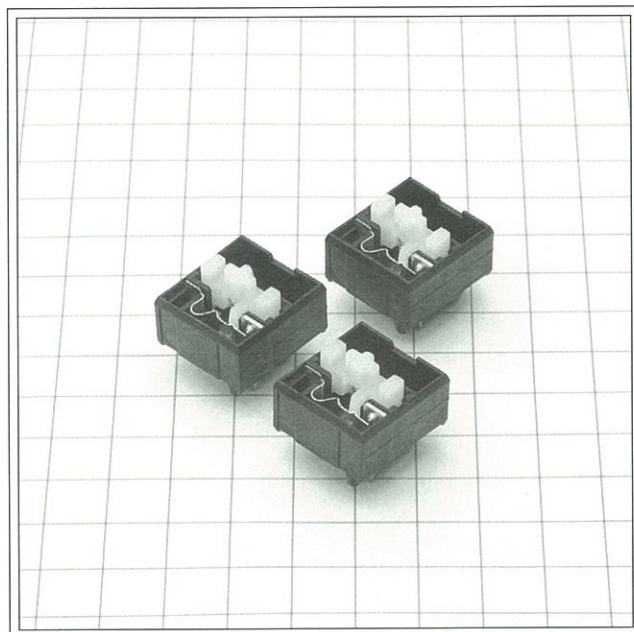


M81 Series

Keypad

M81 Super Low Profile Din-Compatible



Specifications

Contact Rating	3W AC/DC
Voltage	28V AC/DC
Current	100 mA max
Life	>10 million
Initial Contact Resist.	200 m Ω max
Materials	
Plastics	Thermoplastic, UL rated
Contacts	AuAg 26N:3
Spring	Stainless Steel
Flammability Rating	UL94HB
Mounting	Printed circuit board (no cover plate)
Solderability	Wave solder per DIN 40046, Sheet 18
Environmental	
Operating Temp. Range	-10° to +70°C
Storage Temp. Range	-40° to +70°C
Relative Humidity	5% to 95%, non-condensing

Mechanical Motion

Operating Force	2.5 oz. typical
Pretravel	0.063" ±0.024"
Total Travel	0.100" Nom
Feel	Linear-positive stop Tactile is optional

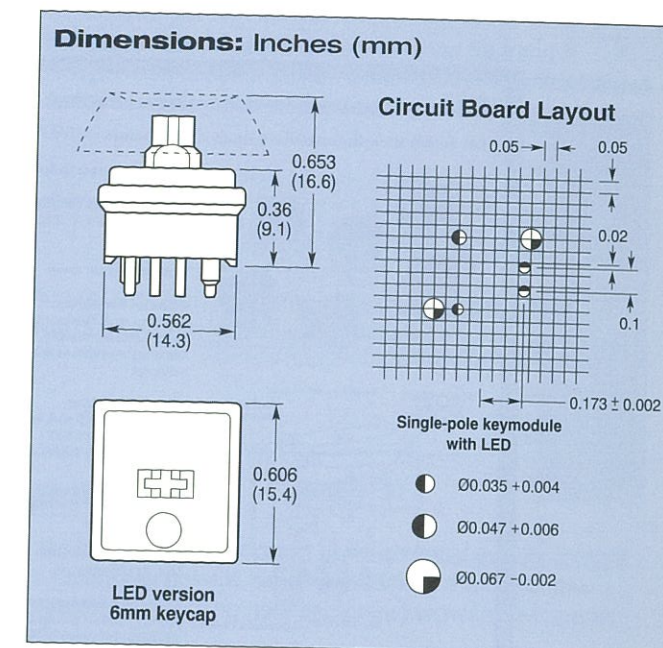
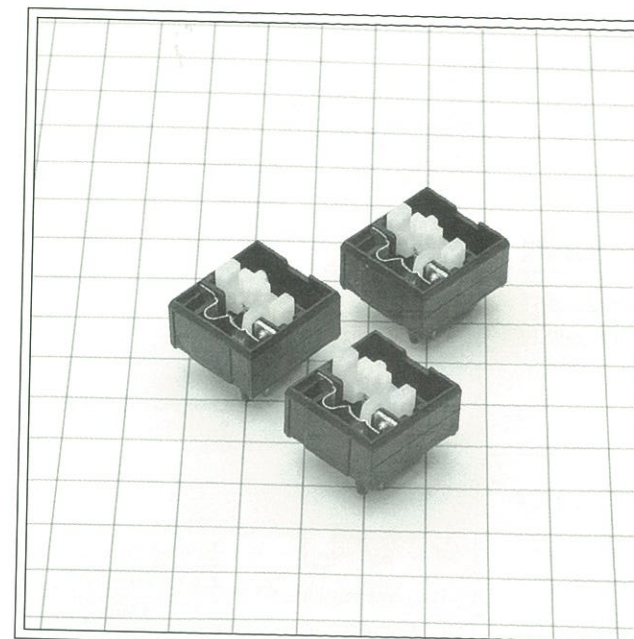
Ordering Information

Part Number	Description
M81A-0100	Standard force, uncovered, very low profile
M81A-01R0	Standard force, uncovered, red LED, very low profile
M81E-0500	Standard force, with cover
M81E-05R0	Standard force, with cover, red LED
M81G-0100	Higher force, uncovered, very low profile
M81H-0500	Higher force with cover

M84 Series

Keypad

M84 Super Low Profile, Gold Crosspoint Contacts



Specifications

Contact Rating	10 mA max/12V max
Voltage	12V max AC/DC
Current	10 mA max
Life	>10 million
Initial Contact Resist.	200 m Ω (typical 25 m Ω)
Materials	
Plastics	Thermoplastic, UL rated
Contacts	AuAg 10
Spring	Stainless Steel
Flammability Rating	UL94HB
Mounting	Printed circuit board (no cover plate)
Solderability	Wave Solder per DIN 40046, Sheet 18
Environmental	
Operating Temp. Range	-10° to +70°C
Storage Temp. Range	-40° to +70°C
Relative Humidity	5% to 95%, non-condensing

Mechanical Motion

Operating Force	2.5 oz. typical
Pretravel	0.063" ±0.024"
Total Travel	0.100" Nom
Feel	Linear-positive stop Tactile is optional

Ordering Information

Part Number	Description
M84A-0100	Standard force, uncovered, very low profile
M84A-01R0	Standard force, uncovered, red LED, very low profile
M84E-0500	Standard force, with cover
M84E-05R0	Standard force, with cover, red LED
M84G-0100	Higher force, uncovered, very low profile
M84H-0500	Higher force with cover