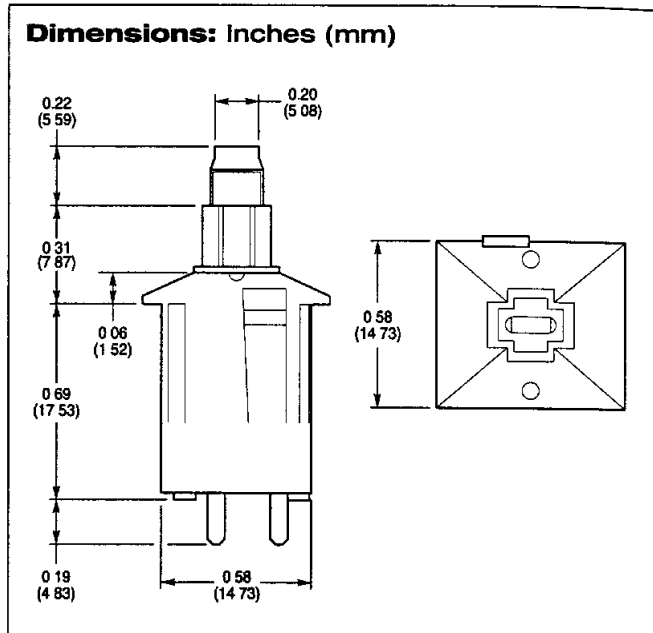
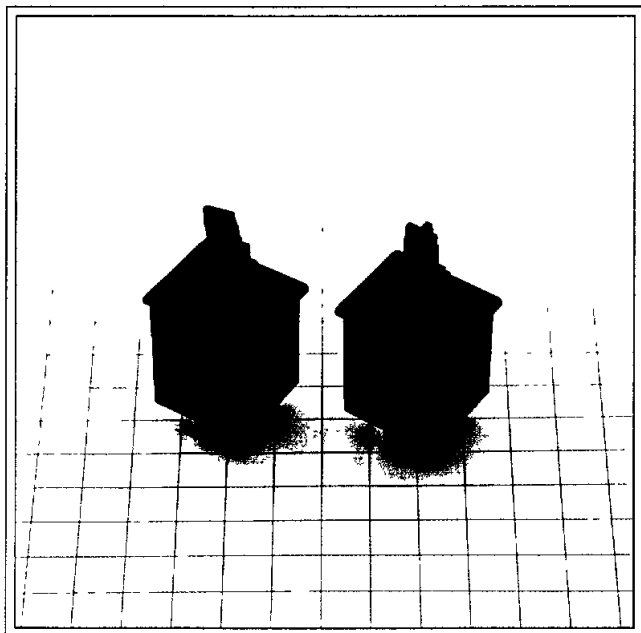


103-636

M7 Series

Keypad

M7 Regular Profile



Specifications

Contact Rating	3W AC/DC
Voltage	28V AC/DC
Current	125 mA max
Life	Momentary >20 million Alt-Action >0.5 million
Initial Contact Resist.	200 m Ω max
Materials	
Plastics	Thermoplastic, UL rated
Contacts	AuAg 26N 3
Spring	Stainless Steel
Flammability Rating	UL94HB
Mounting	Cover plate only
Solderability	Wave solder, 5 seconds at 500°F
Environmental	
Operating Temp. Range	-10° to +80°C
Storage Temp. Range	-35° to +80°C
Relative Humidity	5% to 95%, non-condensing

Mechanical Motion

(SPST Momentary Versions)

Operating Force	2.5 oz. typical
Pretravel	0.09" ±0.03"
Total Travel	0.16"
Feel	Linear-positive stop

Ordering Information

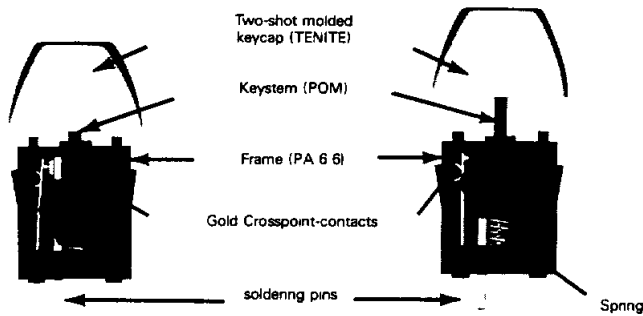
Part Number	Description
M73-0100	Momentary (SPST)
M73-0120	T-stem Momentary (SPST)
M73-0800	Alternate action (SPST)
M74-0100	Momentary (DPDT)

CHERRY-KEYMODULES

KEYMODULE SERIE M7

Standard Mounting Height

(Spacing 19,05 mm)



Technical Data M7: Mechanical Operating Data

Total Travel	4 mm
Operating Point	2,4 ± 0,8
Temperature Operating	-10°C — + 80°C
Temperature Storage	-35° — + 80°C
Bouncing Time	≅ 2ms
Life operations momentary	> 20 · 10 ⁶
Life operations alt. action	> 5 · 10 ⁶

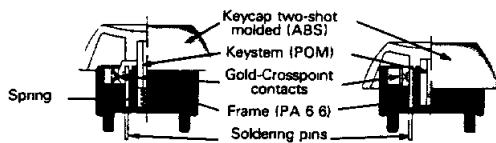
Electrical Operating Data

Contact Rating	
DC Resistive	3 W max
AC Resistive	3 VA max
Current switching	0,125 A max
Current carry	0,5 A max
Voltage	28 V max
Initial Contact Resistance	200m Ω max (typically 25 m Ω)

KEYMODULE SERIE M8

Super Low Profile

(Spacing 19,05 and 16 mm)



Technical Data M8: Mechanical Operating Data

Total Travel	2,5 mm
Operating Point	1,6 ± 0,6
Temperature Operating	-10°C — + 70°C
Temperature Storage	-35° — + 80°C
Bouncing Time	≅ 2ms
Life operations momentary	> 10 · 10 ⁶

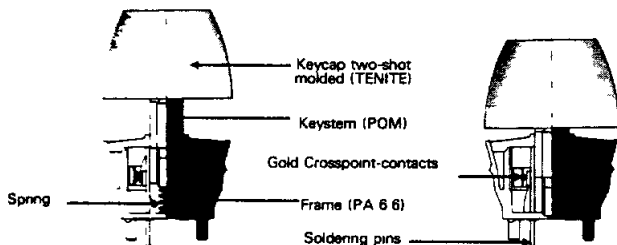
Electrical Operating Data

Contact Rating	
DC Resistive	3 W max.
AC Resistive	3 VA max
Current switching	0,125 A max
Current carry	0,5 A max
Voltage	28 V max.
Initial Contact Resistance	200m Ω max. (typically 25 m Ω)

KEYMODUL SERIE M9

Low Profile

(Spacing 19,05 mm)



Technical Data M9: Mechanical Operating Data

Total Travel	4,2 mm
Operating Point	2 ± 0,6
Temperatur Operating	-10°C — + 70°C
Temperatur Storage	-35° — + 80°C
Bouncing Time	≅ 2ms
Life operatings momentary	> 16 · 10 ⁶
Life operatings alt. action	> 5 · 10 ⁶

Electrical Operating Data

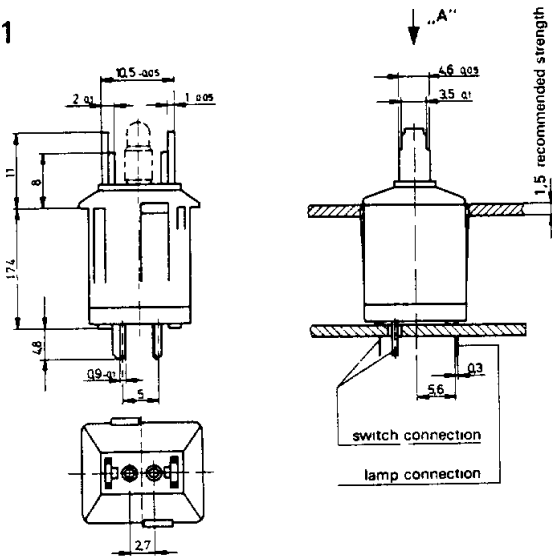
Contact Rating	
DC Resistive	3 W max.
AC Resistive	3 VA max.
Current switching	0,125 A max
Current carry	0,5 A max.
Voltage	28 V max.
Initial Contact Resistance	200m Ω max (typically 25 m Ω)

103-636

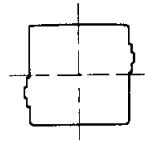
CHERRY KEYMODULES SERIE M7

DIMENSIONAL DRAWINGS (CUTOUTS AND HOLES)

M71

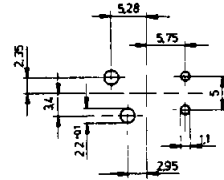


VIEW „A“



MEASURES SEE M73

PC BOARD LAYOUT



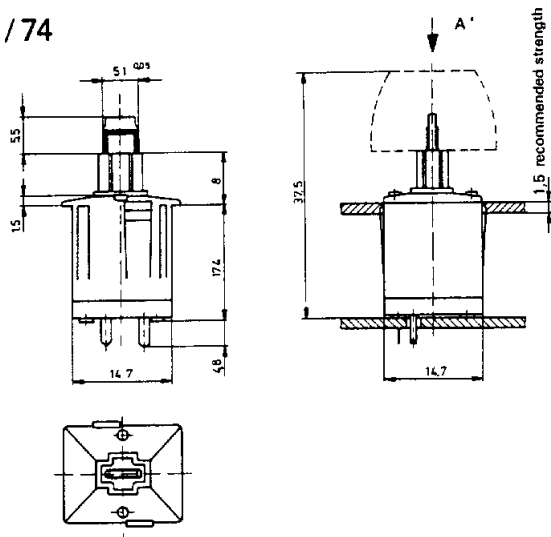
LAMP TYPE T1 BI-PIN

for series M71, 2,54 spacing



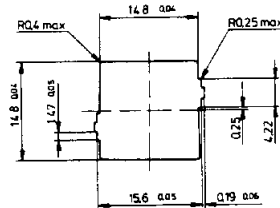
		5	12	24	28
Voltage	(V)	5	12	24	28
Current	(mA)	60	60	20	24
Intencity	(cd)	0,05	0,15	0,05	0,15
Life Time	(h)	100000	16000	25000	16000

M73 / 74



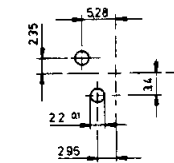
VIEW „A“

STANDARD MOUNTING

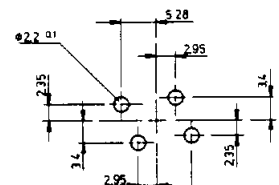


RECOMMENDED MOUNTING
MEASURE FOR FRAME

PC BOARD LAYOUT

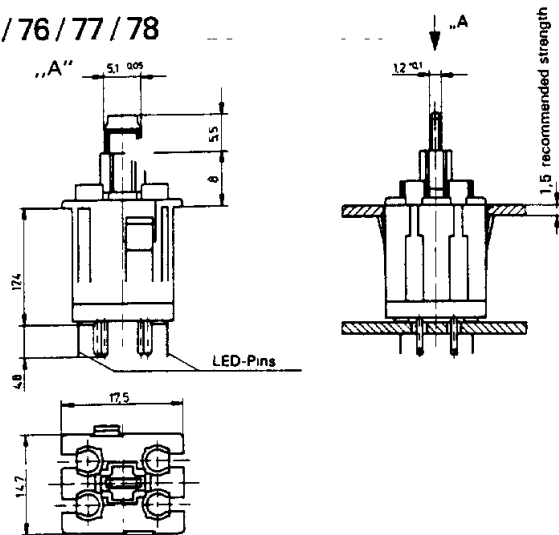


1 POLE

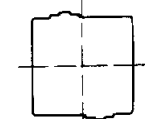


2 POLES

M75 / 76 / 77 / 78



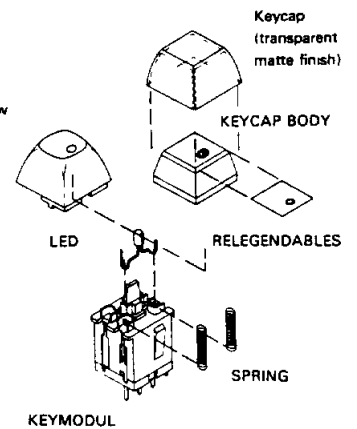
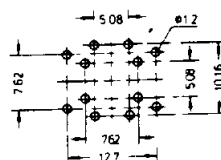
VIEW „A“



Keycap
with LED window

(MEASURES SEE M73)

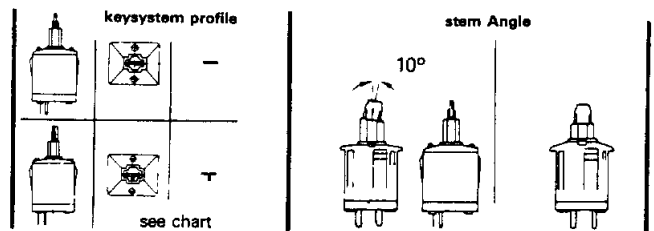
PC BOARD LAYOUT



Specification chart for CHERRY-Keymodules Serie M7

x									x				x	x					M 71
x			x						x	x			x	x	x	x			M 73
	x							x	x				x	x	x				M 74
x			x						x	x	x		x	x	x	x			M 75
	x			x				x	x	x			x	x	x	x			M 76
		x																	M 77
	x			x					x				x	x	x	x			
x					x														
			x																M 78
		x		x															
								x	x										

Ordering information for CHERRY-Keymodules Serie M7 (without keycap)



1 A	momentary	-	0°	without lamp	85 ± 25	M 71 - 0100	
		-	0°	with lamp (5V)		M 71 - 0105	
		-	0°		70 ± 15	M 73 - 0100	
		-	10°			M 73 - 0110	
		-	0°	for space bar Assembly unit	95 ± 25	M 73 - 0112	
		T	0°		70 ± 15	M 73 - 0120	
		-	0°	with tactile feel	max. 150	M 73 - 0176	
	alt. action	-	0°		95 ± 35	M 73 - 0800	
	momentary	-	0°		70 ± 15	M 75 - 0100	
	alt. action	-	0°			M 75 - 0800	
2 A	momentary	-	0°		95 ± 35	M 74 - 0100	
		-	0°			M 76 - 0100	
		alt. action	-	0°			M 76 - 0800
3 A	momentary	-	0°		185 ± 45	M 77 - 0100	
4 A		-	0°			M 78 - 0100	
1 B		-	0°			108 ± 28	M 73 - 0109
		-	0°			150 ± 50	M 73 - 0137
1 A / 1 B	alt. action	-	0°			M 76 - 0890	
2 A / 1 B	momentary	-	0°		95 ± 35	M 77 - 0137	
2 A / 2 B		-	0°			M 78 - 0900	